

# VOLVO PENTA

Volvo Penta of the Americas  
1300 Volvo Penta Drive  
Chesapeake, Virginia 23320-9810

## Service Bulletin

Group	Number	Version
23-1	20	01

### New Carburetors

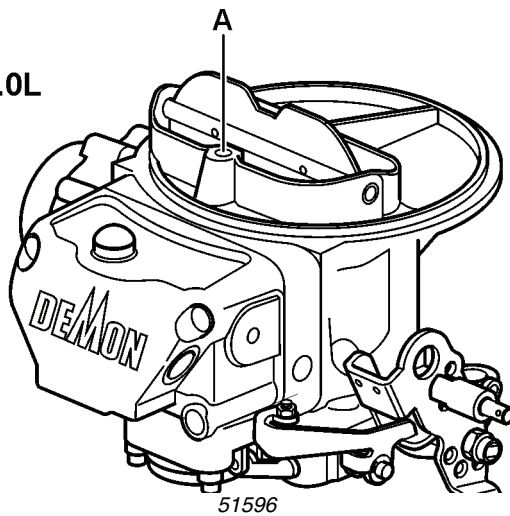
3.0GLP-J, 4.3GL-J, 4.3GL-JF, 5.0GL-J, 5.0GL-JF

Distribution: M

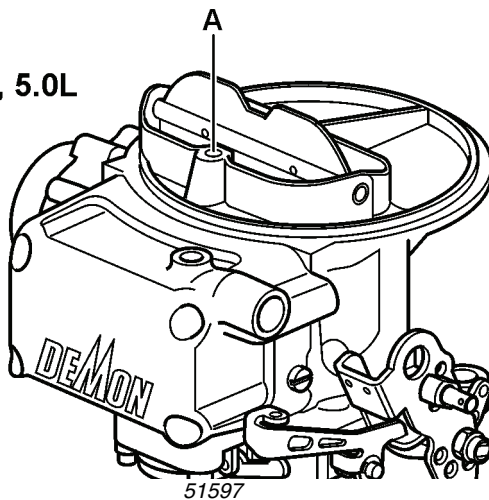
Date: 02-2009

Binder: A, C

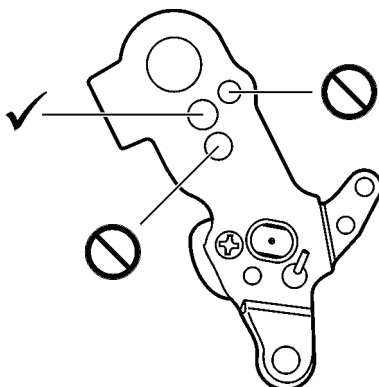
3.0L



4.3L, 5.0L



B



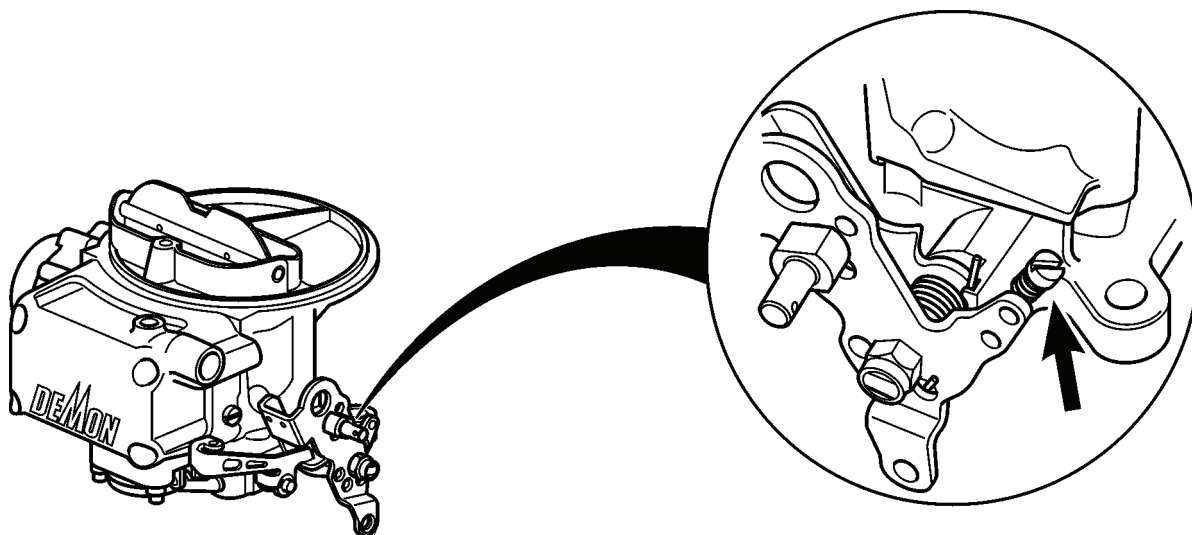
### Information

A new carburetor was recently introduced in production on 3.0L, 4.3L, and 5.0L engines. The new carburetor can be identified by the name Demon™ on the front of the float bowl.

**NOTICE!** Demon carburetors **do not** have J-tubes **A**. Earlier marine carburetors (Holley) had J-tubes to control venting of the fuel bowls. This venting function has been designed into the carburetor housing on the Demon carburetors.

Throttle cable connection **B** to the Demon carburetor engines is the same as the Holley carburetor engines. Note correct pin location (middle hole) as depicted by the check-mark.

Idle speed and choke adjustments to the Demon carburetors are very similar to the Holly carburetors. The arrow in the illustration below depicts the idle speed setting screw.



51598

Part numbers for service kits and associated parts will soon be updated on the Electronic Parts Catalog.

**Carburetor Kits:**

21211937: 3.0L

21211939: 4.3L

21211940: 5.0L

The above replacement kits are also replacements for the Holley carburetors. These kits will be available for order from our parts department.