



service bulletin

No. 98-16

Hose Replacement

Models Affected

1999 Mercury/Mariner

6 thru 25 HP (2 Stroke)	S/N 0G818363 thru 0G829089
9.9/15, 25, 30/40, 50 (4 Stroke)	S/N 0G820822 thru 0G822265
135 thru 200 HP (Carb and EFI)	S/N 0G826702 thru 0G841231
135/150 HP Optimax	S/N 0G826702 thru 0G841231

1999 Force

40/50 HP	S/N 0E360501 thru 0E360883
75 thru 120 HP	S/N 0E361212 thru 0E361749

Due to a hose manufacturing error, the inner wall of the following fuel, water, and oil hoses could split and cause a leak at the end. The affected hoses are marked with date code **H082798**. No other date codes are affected.

Owner Notification

A letter will be sent to every registered owner of an affected outboard. The letter will advise the owner to return their outboard to their selling dealer or any authorized dealer for replacement of the fuel, water, or oil hose/s.

Dealer Outboard Inventory

Affected outboard in dealer inventory **MUST BE** reworked prior to customer delivery.

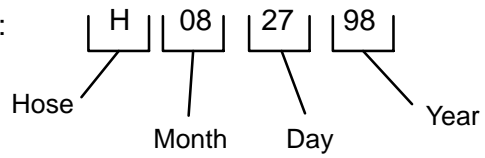
Service Parts Stock

Service stock is not affected. None of the faulty hoses were put into service replacement inventory.

Inspection

If the outboard is within the above serial number range and does not have the factory rework markings on the engine carton or engine, check the date code **H082798** of the affected hoses. The date code is marked in WHITE letters on the hose. Depending on how the hose is installed, it may be difficult to view the date code. Use of a small mirror may be helpful. On some of the shortest hoses, the date code may not be found. In this case replace the hose.

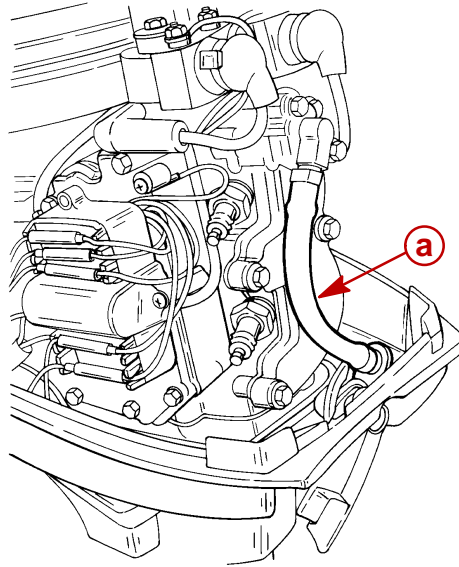
Date code explanation:



Correction

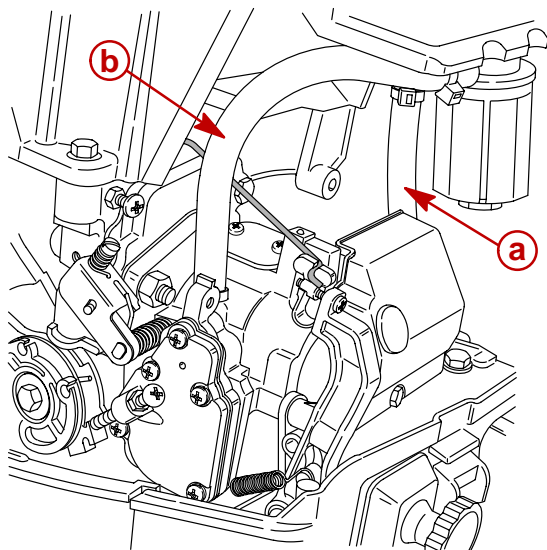
Replace hoses that have the above listed date code (see locations following). Secure all hoses to fittings using sta-strap **P/N 54-816311**.

MERCURY/MARINER 6 thru 25 HP (2 Stroke)



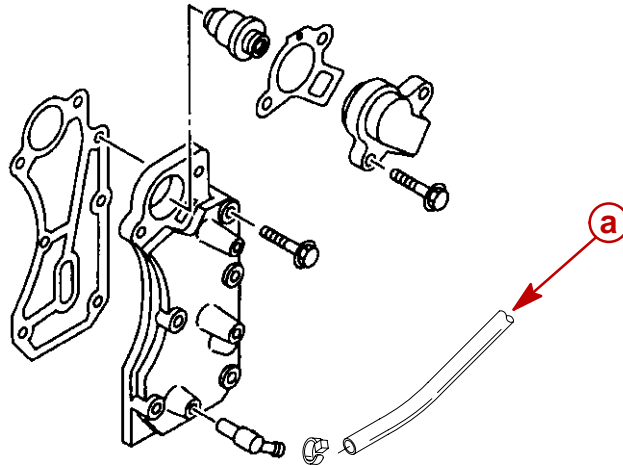
53125

a - Hose - Tell-Tale

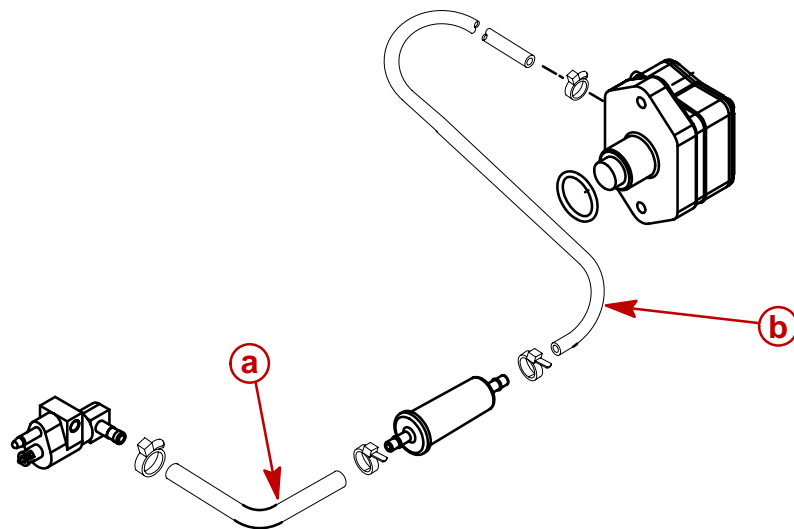


57070

a - Hose - Inlet Fitting to Filter
b - Hose - Filter to Carburetor

MERCURY/MARINER 9.9/15 HP (4 Stroke)

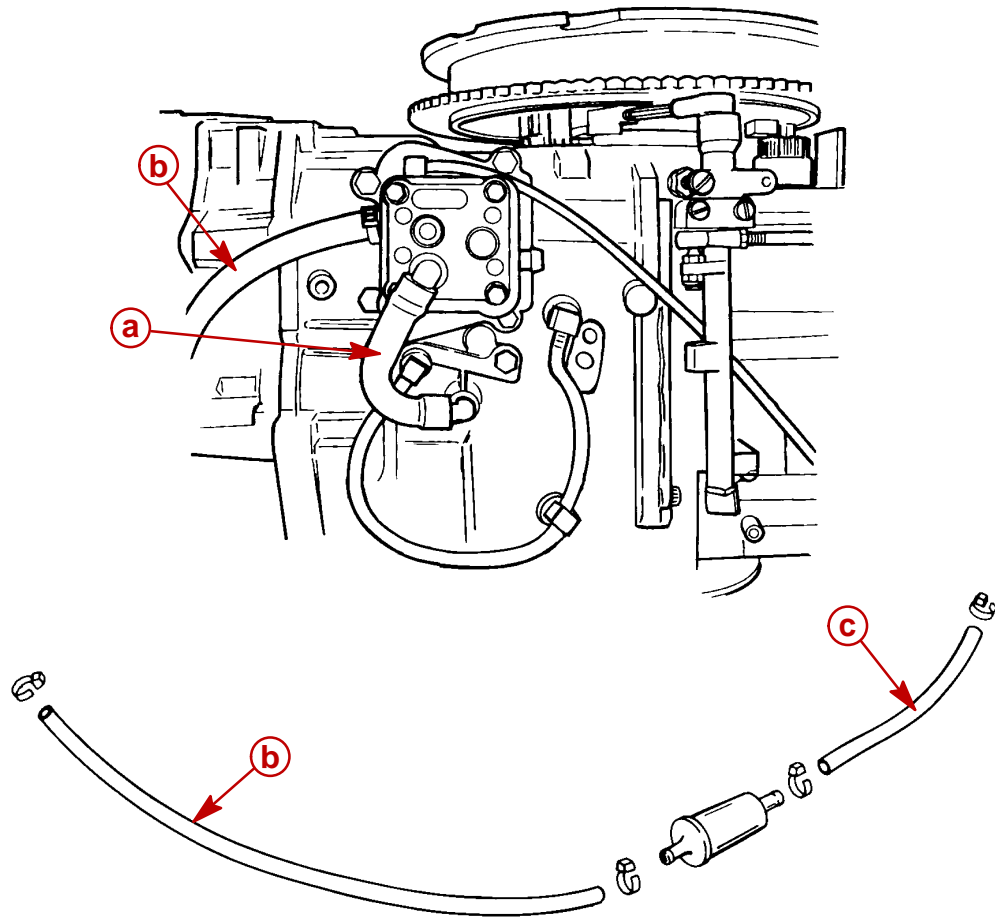
a - Hose - Tell-Tale

MERCURY/MARINER 25 thru 50 HP (4 Stroke)

a - Hose - Inlet Fitting to Filter

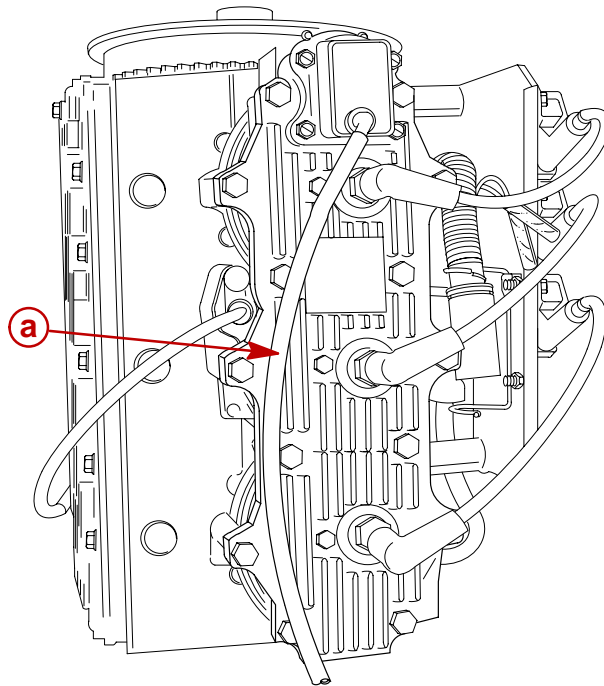
b - Hose - Filter to Fuel Pump

IFORCE 40/50 HP



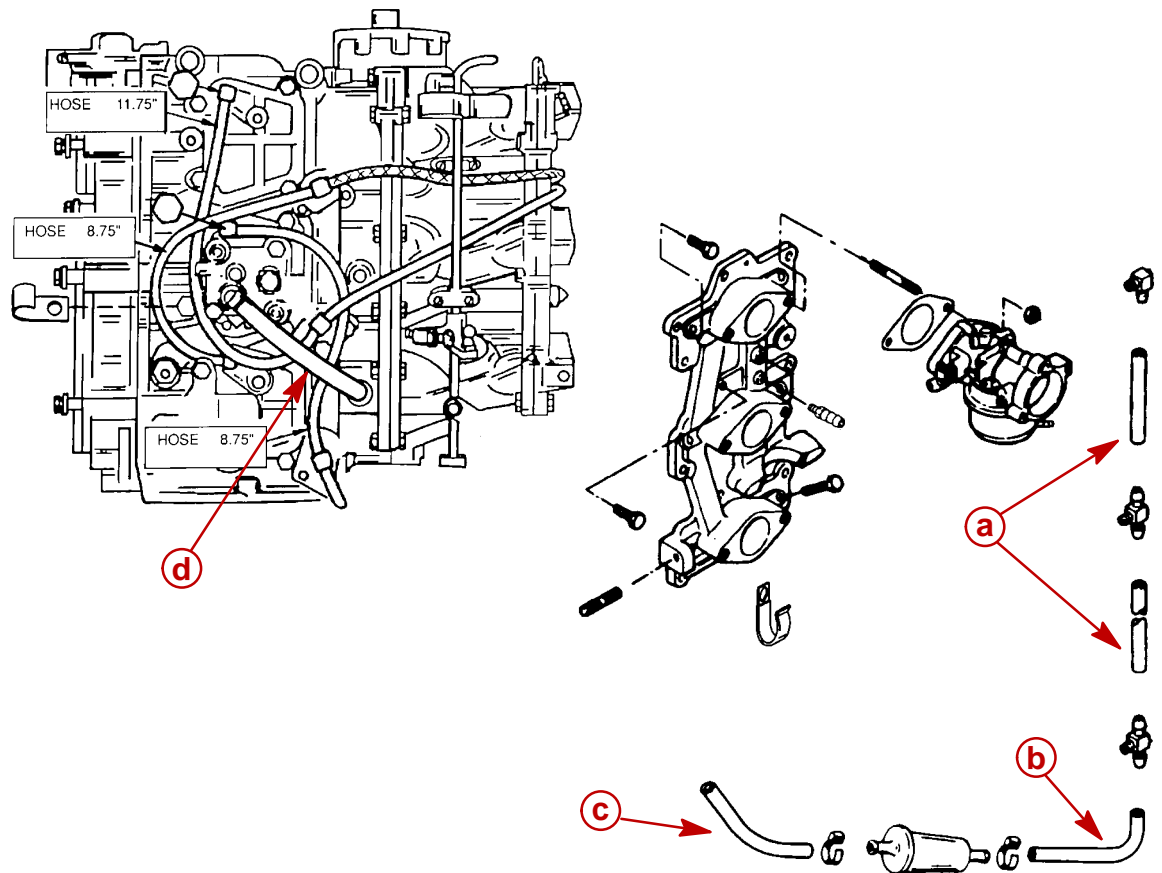
- a** - Hose - Pulse Fuel Pump
- b** - Hose - Fuel Pump to Filter
- c** - Hose - Filter to Carburetor

FORCE 75/90 & 120 HP

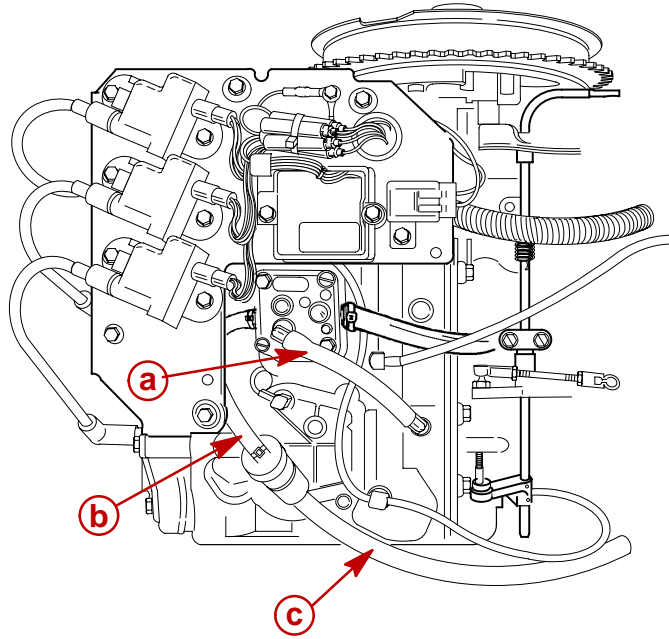


53759

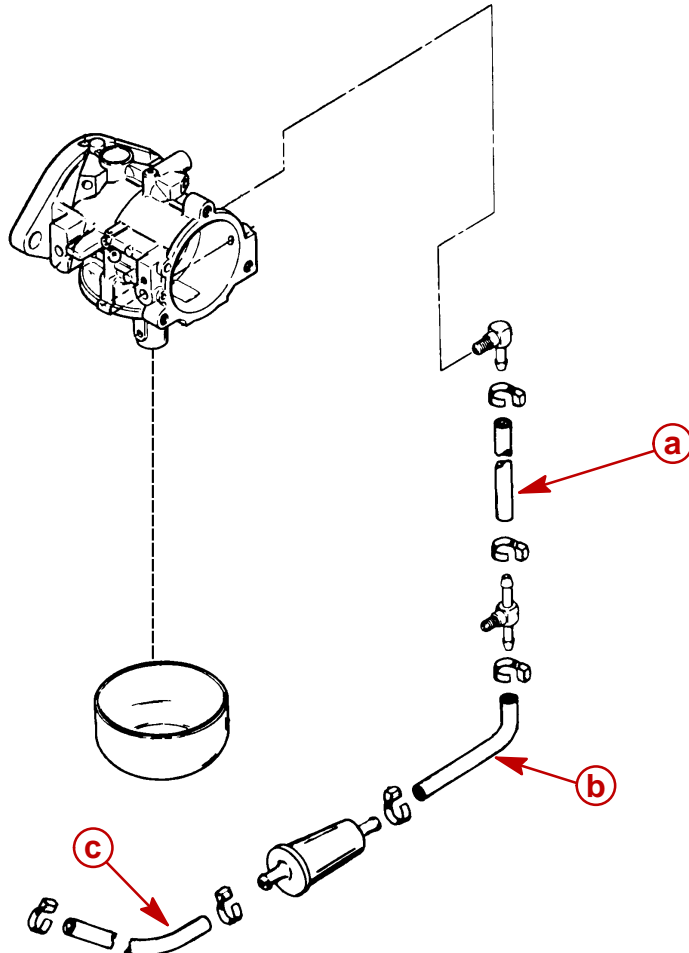
a - Hose - Tell-Tale



- a** - Hose - Carburetors (75/90 HP)
- b** - Hose - Fuel Filter to Carburetor
- c** - Hose - Fuel Pump to Fuel Filter
- d** - Hose - Pulse Fuel Pump

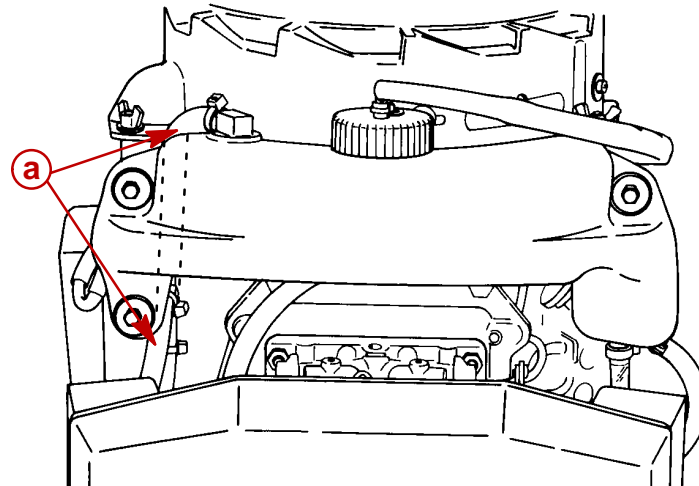


- a** - Hose - Pulse, Fuel Pump (75/90/120 HP)
- b** - Hose - Fuel Pump to Fuel Filter
- c** - Hose - Fuel Filter to Carburetor



- a** - Hose - Carburetor (120 HP)
- b** - Hose - Fuel Filter to Carburetor
- c** - Hose - Fuel Pump to Fuel Filter

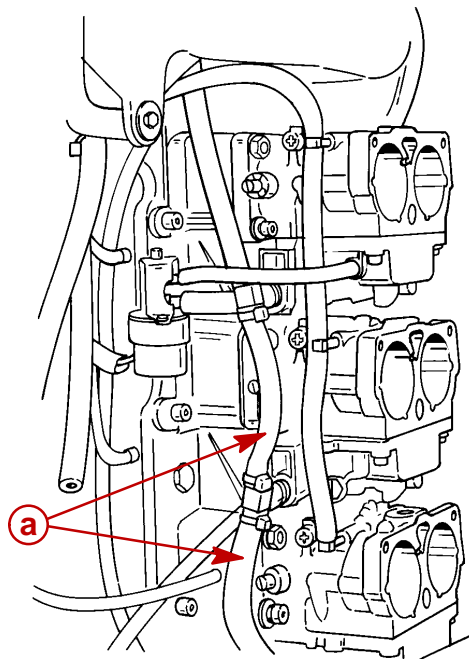
MERCURY/MARINER 135 thru 200 HP, EFI & CARB



51893

a - Hose - Oil Reservoir

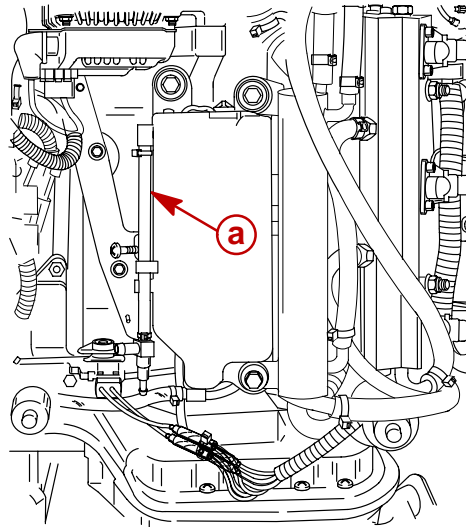
MERCURY/MARINER 2.0 & 2.5 LITRE CARB MODELS



51844

a - Hoses (2) - Carburetors

MERCURY/MARINER 135/150 OPTIMAX



a - Oil - Reservoir Hose

Parts Required

Determine the total length of hose required for the engine/s being serviced using the chart following. Each service replacement hose **P/N 32-830756109** is 57 in. (1447.8mm) long, order as required.

MERCURY/MARINER MODELS

MODEL	DESCRIPTION	LENGTH
6-25 (2 Stroke)	Total All Hoses	15.75 in. (400mm)
	Fuel Inlet to Filter	4.25 in. (108mm)
	Fuel Filter to Carburetor	5.5 in. (140mm)
	Tell-Tale	6 in. (152mm)
9.9/15 (4 Stroke)	Fuel Inlet to Fuel Pump	16 in. (407mm)
25, 30/40, 45/50 (4 Stroke)	Total All Hoses	35 in. (889mm)
	Fuel Pump to Fuel Filter	19 in. (483mm)
	Fuel Filter to Carburetor	16 in. (407mm)
135-200 Carb.	Total All Hoses	10.25 in. (260mm)
	Oil Reservoir to Check Valve	6 in. (152mm)
	Between Carburetors (2)	4.25 in. (108mm)
150/175/200 EFI	Oil Reservoir to Check Valve	6 in. (152mm)
135/150 Optimax/DFI	Oil Reservoir to Check Valve	6 in. (152mm)

FORCE MODELS

MODEL	DESCRIPTION	LENGTH
40/50	Total All Hoses	29.5 in. (749mm)
	Fuel Inlet to Fuel Filter	19 in. (483mm)
	Fuel Filter to Fuel Pump	4.5 in. (114mm)
	Fuel Pump Pulse Hose	6 in. (152mm)
75/90	Total All Hoses	51 in. (1295mm)
	Tell-Tale	16 in. (406mm)
	Fuel Pump Pulse Hose	4.5 in. (114mm)
	Hoses Between Carburetors (2)	3.5 in. (89mm)
	Fuel Pump to Fuel Filter	6 in. (152mm)
	Fuel Inlet Hose to Filter	21 in. (533mm)
120	Total All Hoses	60 in. (1524mm)
	Fuel Pump Pulse Hose	4.5 in. (114mm)
	Tell-Tale	21 in. (533mm)
	Hoses Between Carburetors	7.5 in. (191mm)
	Fuel Pump to Filter	6 in. (152mm)
	Fuel Inlet Hose to Filter	21 in. (533mm)

Repair Identification

FACTORY: Outboards within the serial number range listed that have been reworked at the factory are identified by:

- A black dot sticker applied on the outboard serial number label of the shipping carton.
- A yellow dot sticker applied on the electric or manual starter.
Use MIDAS - Product History, to determine if this fix campaign 1998 - is "OPEN" or has been "COMPLETED".

DEALER: After the hoses have been checked and/or changed, place a WHITE paint dot on the electric or manual starter.

Warranty

The above listed hoses will be covered by a special warranty for three (3) years from the original date of sale, on engines within the above listed serial number range.

Complete a warranty claim listing:

- Outboard serial number
- One half (0.5) hour labor inspection
- Plus one tenth (0.1) hour labor for each hose replaced
- List location of hose/s replaced
- Warranty Flat Rate Code: NJC
- Failure Code: 713-00

HOSE REPLACEMENT

US & CANADA – Complete and process the warranty claim via Midas or return a warranty claim form. Tag the removed hoses and hold for 60 days after credit is received, then discard suspect hoses.

INTERNATIONAL – Follow instructions issued by Marine Power International office or by your distributor.