

Circulate to:  Sales Manager  Accounting  Service Manager  Technician  Parts Manager

## Shift System Set-up Procedure Changes

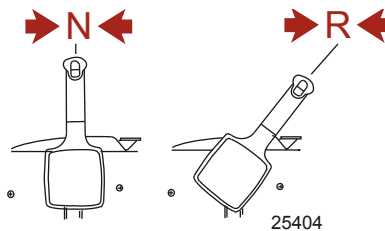
### Models Affected

Models Covered	Serial Number
40/50/60 HP FourStroke EFI Bigfoot Models	1C033811 And Up

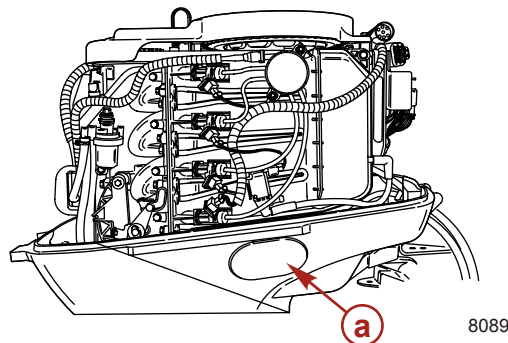
### Situation

The models listed above will be released during October 2006 and now require different shift system set-up procedures than previous models. These models engines are now equipped with shifting mechanisms in the gearcase that require the system be set up while in the reverse position rather than the neutral position. Be sure to follow the instructions outlined in the owners/installation manual, or the below listed instructions, while rigging these model engines.

1. Move the remote control lever to the reverse position.



2. Remove the access cover from the side of the lower cowl.



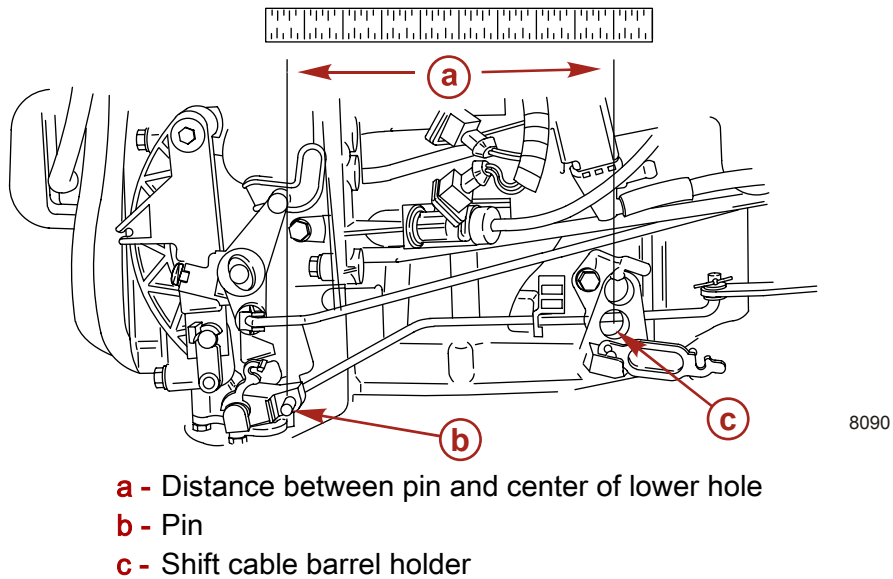
**a** - Access cover

3. Position the outboard shift linkage into reverse gear while turning the propeller shaft.

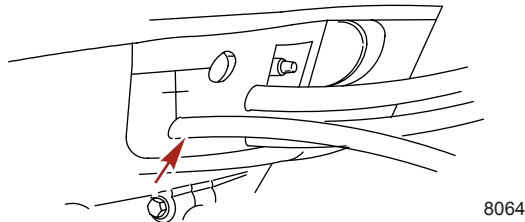
THE INFORMATION IN THIS DOCUMENT IS CONFIDENTIAL AND PROTECTED BY COPYRIGHT AND IS THE PROPERTY OF MERCURY MARINE.

This document is provided for the sole and exclusive use of the original recipient as prescribed by Mercury Marine and may not be distributed or copied, digitally or otherwise, without the prior written consent of Mercury Marine.

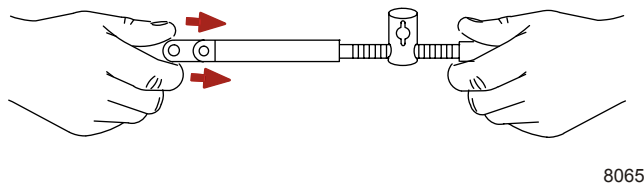
4. Measure the distance between the pin and the center of the shift cable barrel holder.



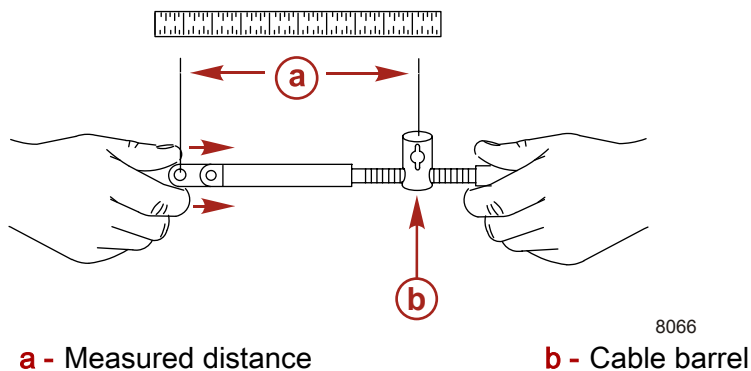
5. Fit the shift cable through the rubber grommet.



6. Push in on the cable end until resistance is felt.



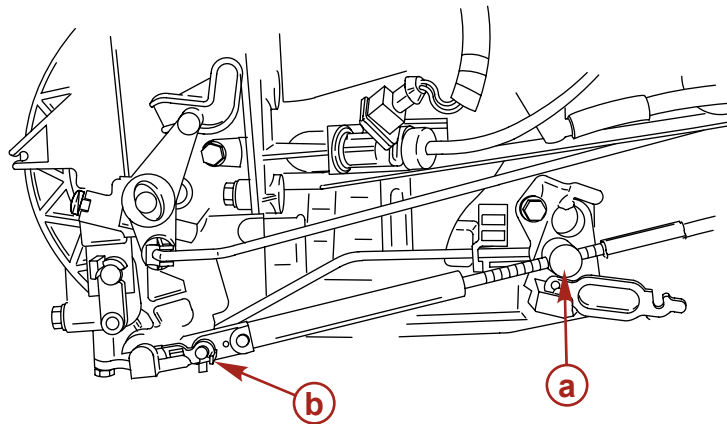
7. While pushing in on the cable end, adjust the cable barrel to attain the measured distance obtained in step 4.



THE INFORMATION IN THIS DOCUMENT IS CONFIDENTIAL AND PROTECTED BY COPYRIGHT AND IS THE PROPERTY OF MERCURY MARINE.

This document is provided for the sole and exclusive use of the original recipient as prescribed by Mercury Marine and may not be distributed or copied, digitally or otherwise, without the prior written consent of Mercury Marine.

8. Place the cable barrel into the barrel holder. Fasten the cable with the retainer.



8091

**a** - Barrel holder**b** - Retainer

9. Check the shift cable adjustment as follows:
  - a. Shift the remote control into forward. The propeller shaft should be locked in gear. If not, adjust the barrel closer to the cable end.
  - b. Shift the remote control into neutral. The propeller shaft should turn freely. If not, adjust the barrel closer to the cable end.
  - c. Shift the remote control into reverse while turning the propeller shaft. The propeller shaft should be locked in gear. If not, adjust the barrel away from the cable end. Repeat steps a through c.
  - d. Shift the remote control back to neutral. The propeller shaft should turn freely. If not, adjust the barrel closer to the cable end. Repeat steps a through d.

THE INFORMATION IN THIS DOCUMENT IS CONFIDENTIAL AND PROTECTED BY COPYRIGHT AND IS THE PROPERTY OF MERCURY MARINE.

This document is provided for the sole and exclusive use of the original recipient as prescribed by Mercury Marine and may not be distributed or copied, digitally or otherwise, without the prior written consent of Mercury Marine.